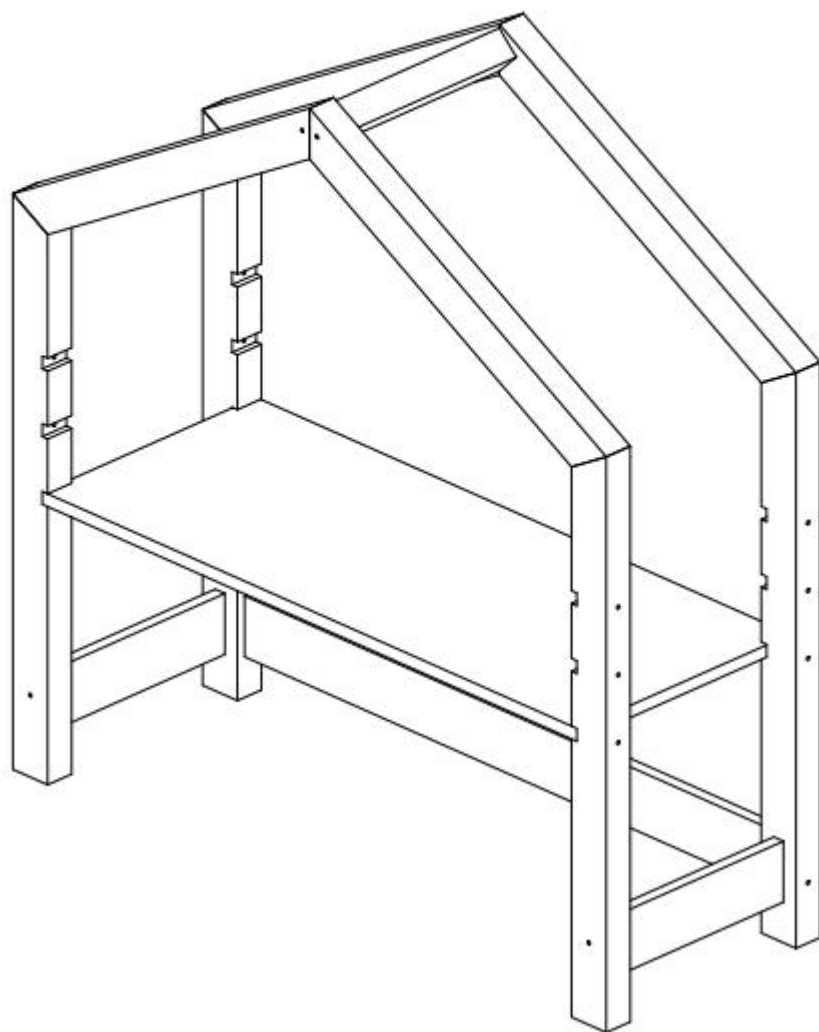
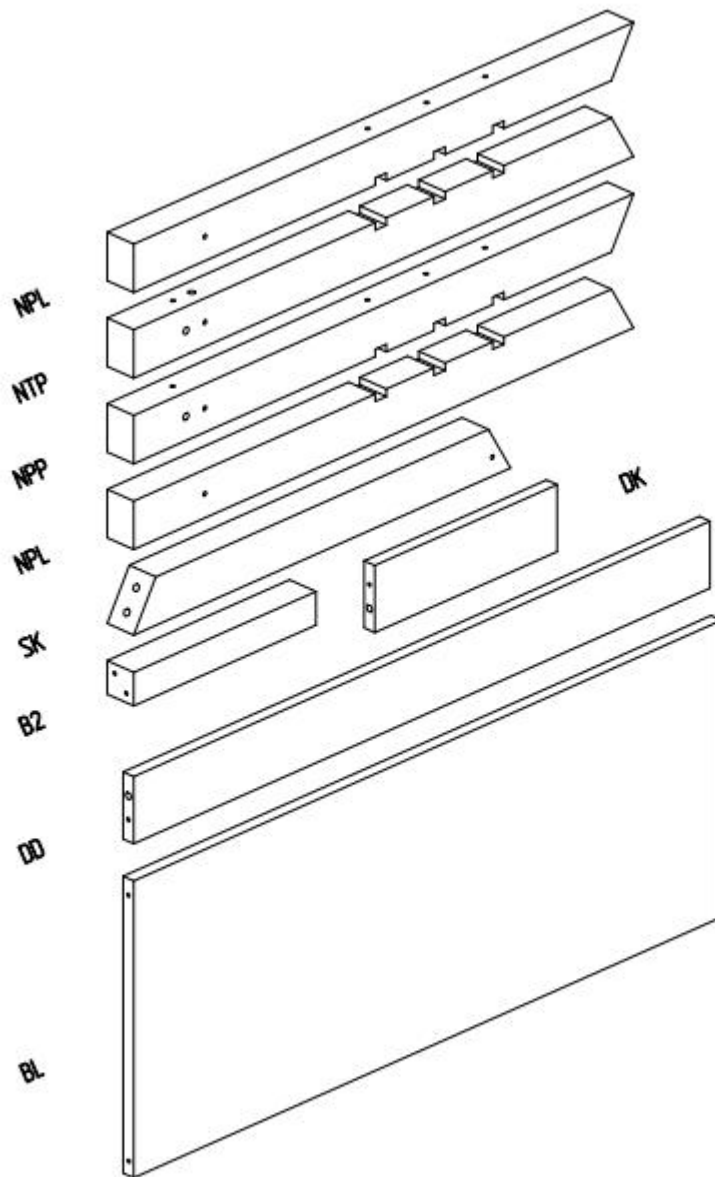


<i>RG</i>	<i>BR</i>
<i>S110 - x12</i>	<i>S110 - x6</i>
<i>S80 - x4</i>	<i>S80 - x8</i>
<i>K10 - x12</i>	<i>K10 - x20</i>
<i>G - x3</i>	<i>G - x3</i>
<i>INBUS - x1</i>	<i>INBUS - x1</i>

BR

40x100





BR

NP - x2

NL - x2

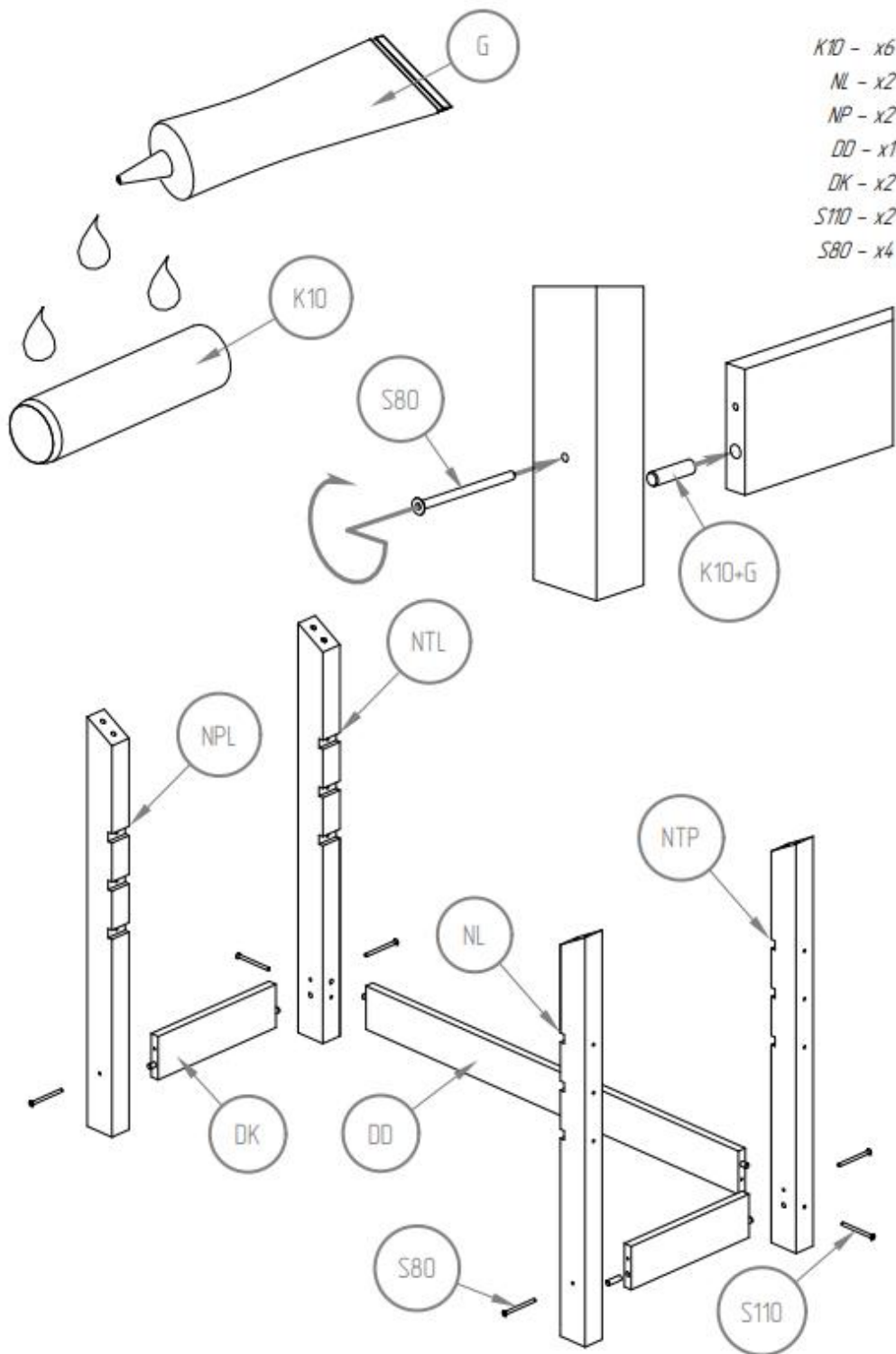
SK - x4

B2 - x1

DD - x1

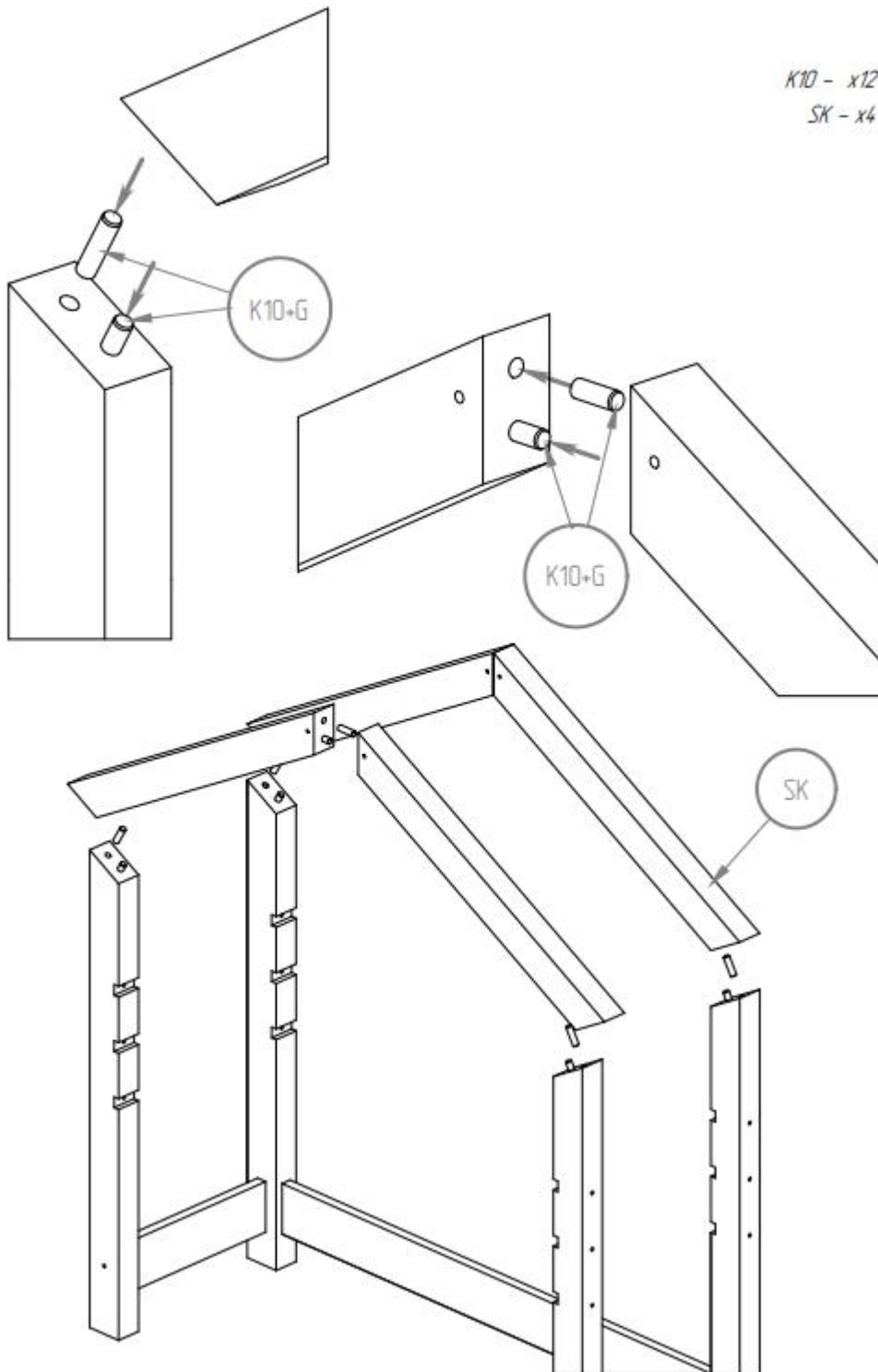
DK - x2

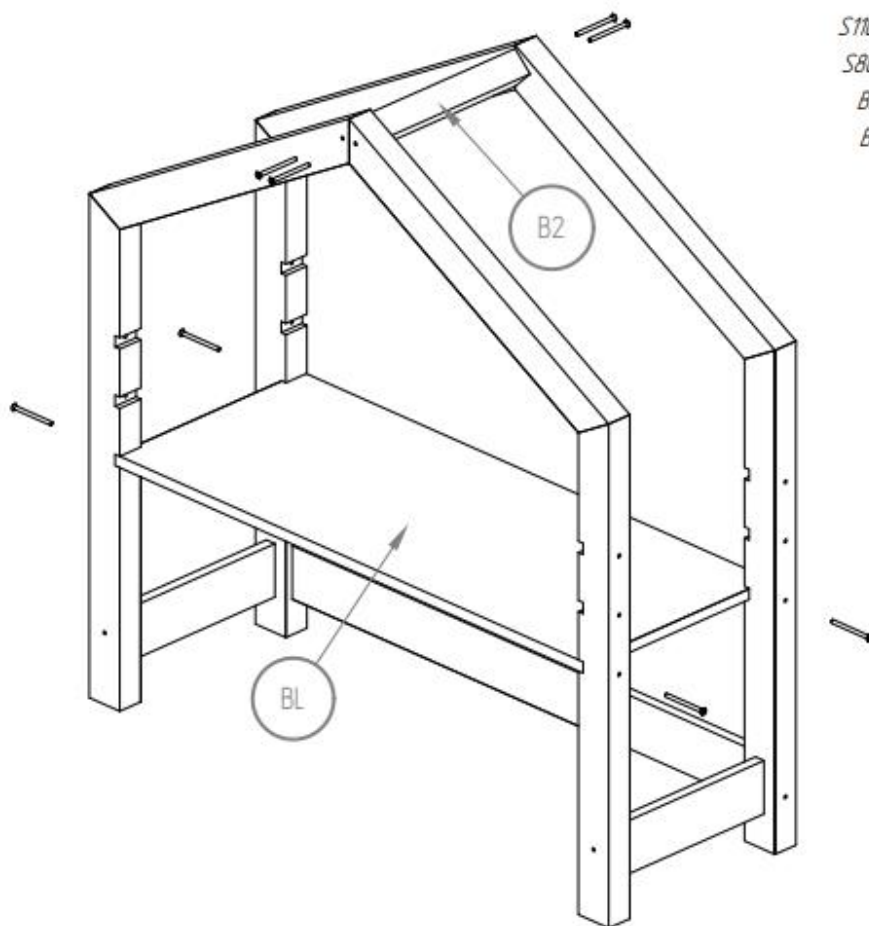
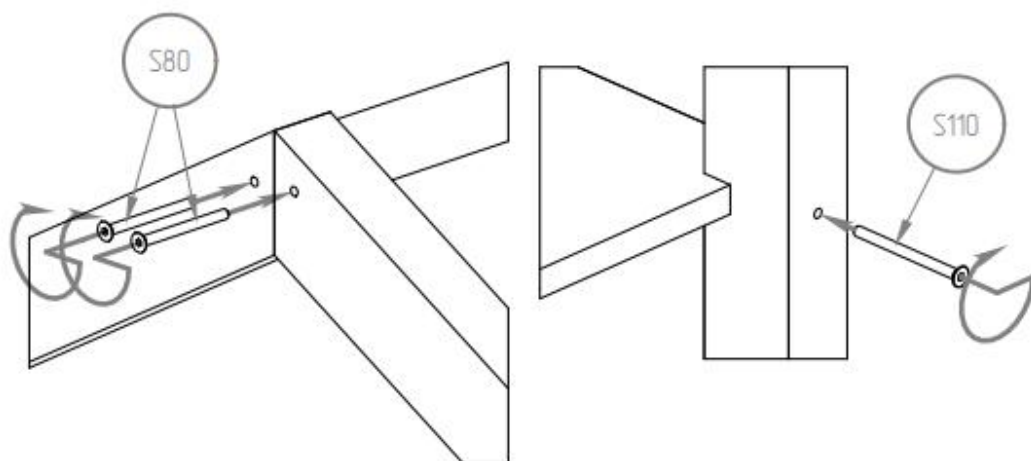
BL - x1



- K10 - x6
- NL - x2
- NP - x2
- DD - x1
- DK - x2
- S110 - x2
- S80 - x4

K10 - x12
SK - x4





S110 - x4
S80 - x4
B2 - x1
BL - x1